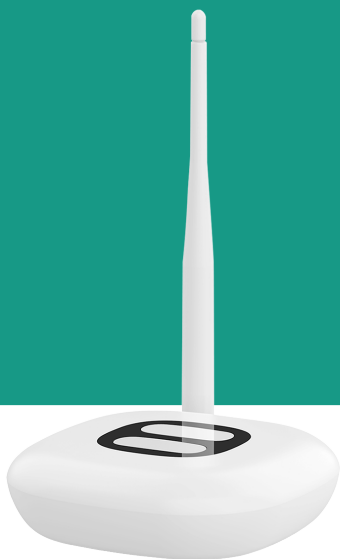
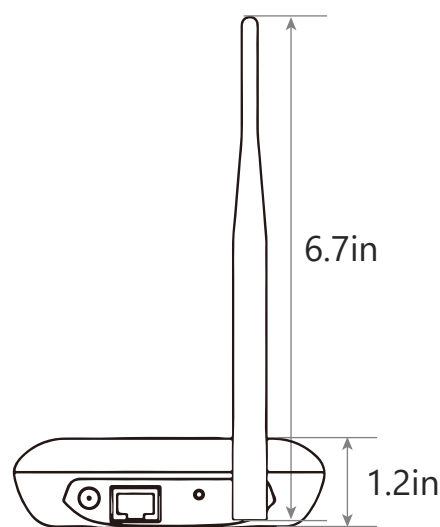
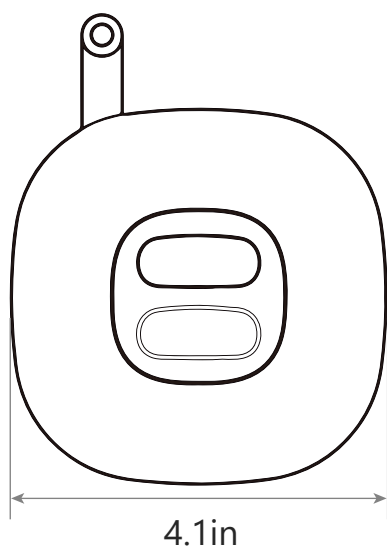


IoT Hub-H1B



▼ Dimensions



▼ Introduction

The MOCREO H1B Hub is a data-collecting device. One MOCREO Hub can manage up to multiple MOCREO Sensors. It works with all MOCREO Sensors to create an environmental monitoring system, like monitoring temperature, humidity or water leakage.

By gathering data timely and accurately, it takes the bridge between Sensors and Cloud Server through the Internet, realizing real-time monitoring, remote alerts, tracking, and data reports.

▼ Features

- Easy Setup
- Stable Connection
- Central Management

▼ Specifications

Model	H1B
Dimensions	4.1 x 4.1 x 1.2in (L x W x H)
Weight	3.80 Ounces
Power	5V/1A USB Adapter
PAN TX Power	Up to 20dBm
Ethernet	10Mbps/100Mbps
Wi-Fi	2.4GHz 802.11b/g/n
PAN Wireless Communication	Bluetooth Low Energy & Zigbee 3.0